

IT-6090

Mini Barebone system
Intel High Performance Platform
Installation Guide
Edition 1.0
2009/12/24



Document Content:

- Packing List
- Product Specification
- Hardware Installation

Packing List:

IT-6090 Chassis x 1

(Including MB-6090 Motherboard)



DSPD-080-12A 80W AC-DC Adapter x 1



Power Cord x 1

CPU Cooler x 1

ATAPI Power Cord x1



SATA Cable x 1

ATX to SATA Power Cable x 1

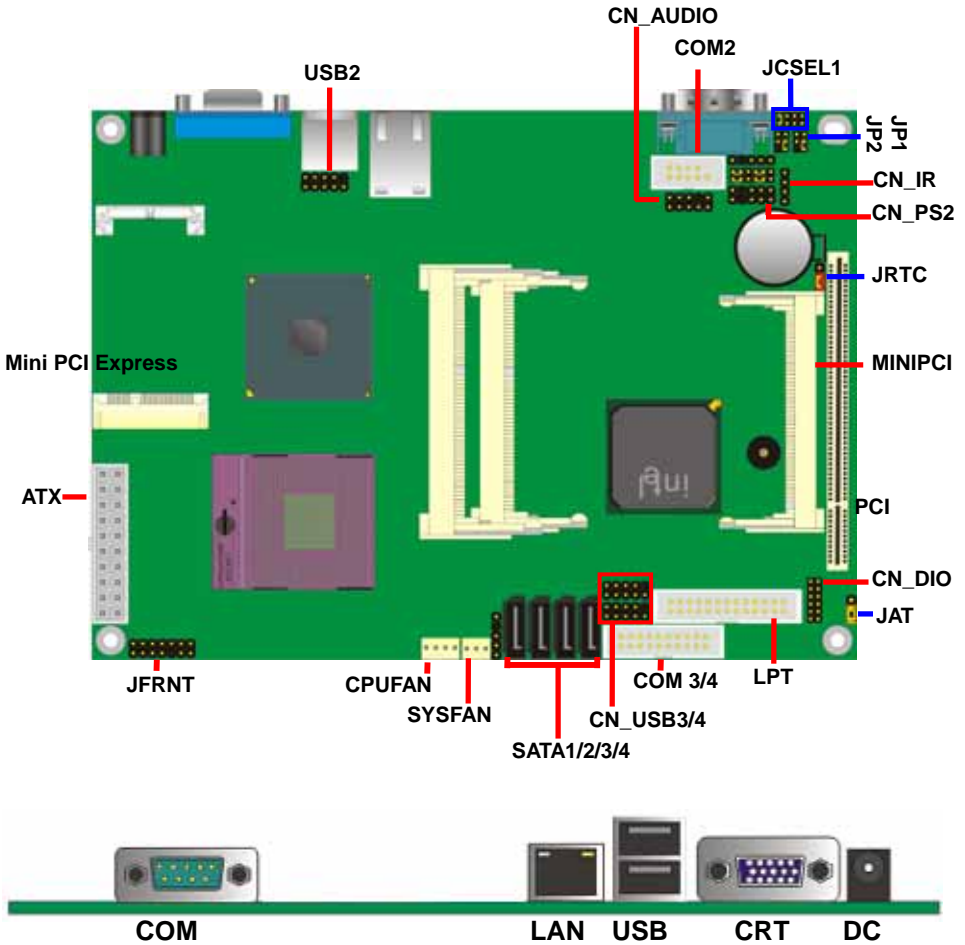
Wall-mount bracket x 1

CD Driver x1

IT-6090

Hardware Installation:

<Motherboard placement>



For the Components placement, it is available for IT-6090

 For Connector

 For Jumper

<Jumper Location & Reference>

Jumper	Function
JRTC	CMOS Operating/Clear Setting
JAT	Power mode select
JP1	COM1 signal mode switch (For Pin-1 & Pin-9)
JP2	COM2 signal mode switch (For Pin-1 & Pin-9)
JCSEL1	CN_COM2 RS-232 RS422 RS485 Setting / CN_IR IrDA
JCSEL2	Setting

Jumper: JRTC

Type: Onboard 3-pin jump



JRTC	Mode
1-2	Clear CMOS
2-3	Normal Operation

Default setting: 2-3

Jumper: JAT

Type: Onboard 3-pin jump



Power Mode	Jumper
AT Mode	1-2
ATX Mode	2-3

Default setting: 2-3

Jumper: JP1 (COM 1) / JP2 (COM 1)

Type: Onboard 3x2-pin jump



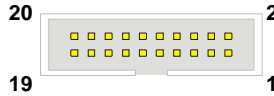
Power Mode	Jumper
Standard COM Port	4-6
Pin1 with 5V signal	1-3
Pin9 with 12V signal	2-4

Default setting: 4-6

< COM3/4 Port >

Connector: **COM3/4**

Type: 20Pin box header



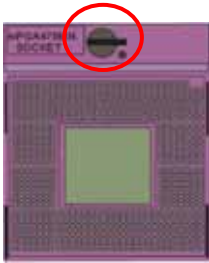
Pin	Description	Pin	Description
1	HS_DCD1	2	HS_RXD1
3	HS_TXD1	4	HS_DTR1
5	Ground	6	HS_DSR1
7	HS_RTS1	8	HS_CTS1
9	HS_RI1	10	N/C
11	HS_DCD2	12	HS_RXD2
13	HS_TXD2	14	HS_DTR2
15	Ground	16	HS_DSR2
17	HS_RTS2	18	HS_CTS2
19	HS_RI2	20	N/C

<Setting RS-232, RS-422, RS-485 & IrDA >

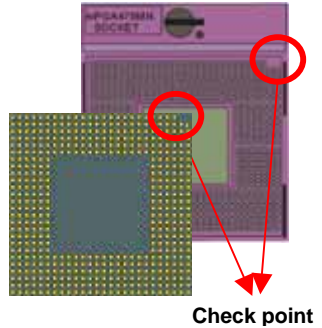
Function	JCSEL1	JCSEL2
IrDA		
RS-422		
RS-485		
RS-232		

<CPU and Memory Setup>

The board comes with the socket 478 for Intel Core 2 Duo **socket-P** processor only it supports new generation with 667/800/1066 MHz of front side bus. Please follow the instruction to install the CPU properly.

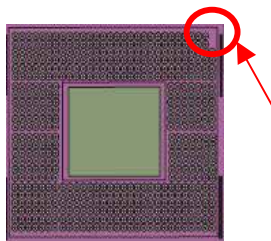


1. Use the flat-type screw drive to unlock the CPU socket



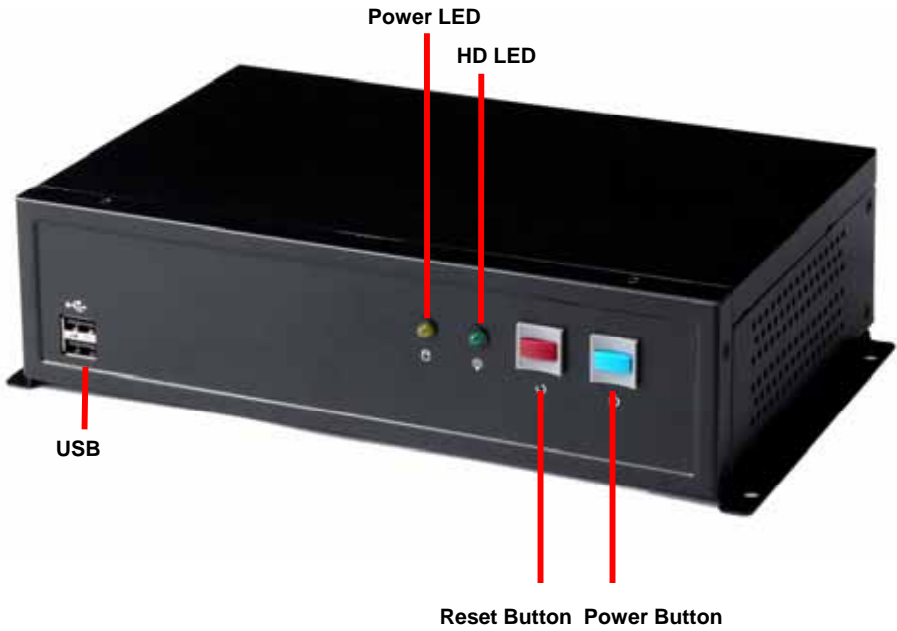
3. Lock the socket

4. Socket P has 478 pins, but is not pin-compatible with Socket M CPU.

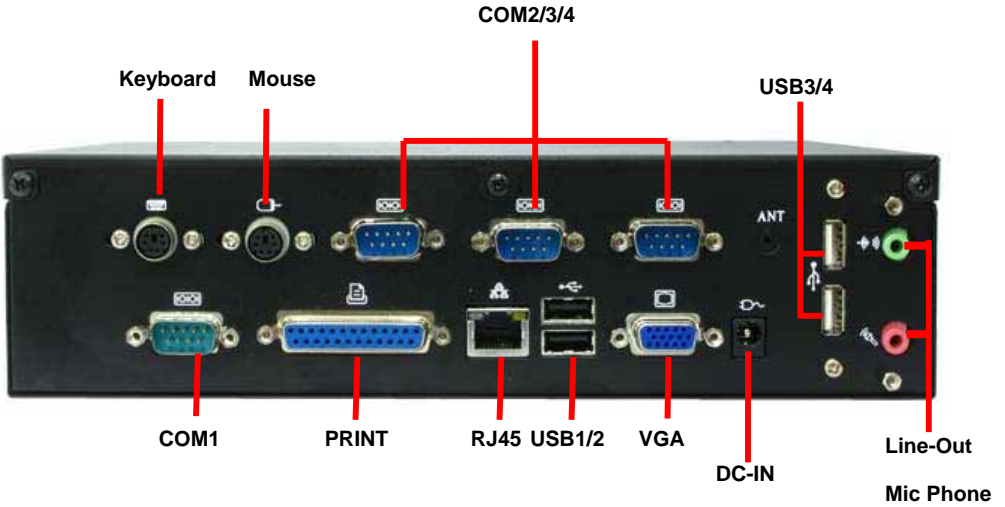


I/O panel:

Front:



Rear panel:



Chassis Setup procedure:

1. Screw off as indication of the picture below.

Rear:



Top:



2. Push the Chassis shield towards the back then open it.



3. Screw off as indication of the picture below.



4. Turn the CPU cooler screws and then refer the motherboard manual page.17 to install the CPU.(After installing CPU, please turn the CPU FAN screws to tighten.)



5. Insert the DDRII SO-DIMM module into the socket at 45 degree.
Press down the module with a click sound.



6. Put on HDD driver into HDD holder then turn the HDD drive screws to tighten.



7. Screw on as indication of the picture below Turn the screws.



8. Push the Chassis shield towards the back then open it.



9. Screw on as indication of the picture below.

Rear:



Top:



10. Finish.

