

BS-915

BS-915 Series

Built in Universal Decoder

Easily Changing Different Type of Interface Cables

The New design Laser Gun Which You can be affordable



1. Excellent value for popular barcode reading

Birch released the competitive laser for popular barcode application which is growing rapidly and wide used nowadays. BS-915 offers high scanning performance supporting 650mm scanning distance and up to 0.3 Print Contrast Ratio.

2. Multiple 4-in-1 interface in one scanner

BS-915 is built with Keyboard, RS232, USB and Wand interface. It supports use replaceable interface cable by RJ45 phone jack; different interface can be interchangeable just by changing cable. It is simplified installation and integration and good to lessen your inventory load.

It supports to connect RS232 interface directly to your PC by Pin 9 with 5V power without external power adapter.

3. User Friendly and PnP design

It is the ergonomic and light weigh design laser gun but built with extra-large trigger for your maximum comfort every day use. The intuitive scanning and plug and play design can be used directly with your computer without additional device.

Ordering Information:

BS-915M: Laser gun, Black or Beige, PS2

BS-915R: Laser gun, Black or Beige, RS232

BS-915U: Laser gun, Black or Beige, USB

HDR-6P: High stands/hand free holder, Black or Beige

4. Built with professional decoder

The decoder of BS-915 supports nearly all of 1D barcode symbologies (including EAN 128 code and GS1 Data bar), integrating with unique software program and ISP function. It is allowed to program continuous mode for hand free operation.



Technical Specifications

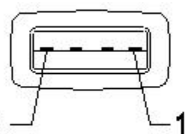
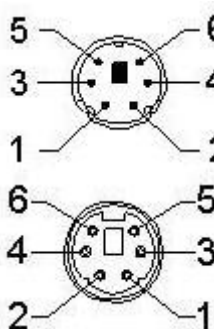
Model	BS-915 series
Optical	
Width of Window	700mm@50mil
Light Source	650±10 nm (25°C)
Sensor	Laser Diode
Scanning Speed	48 ±2 scans/sec
Depth of Field	650mm@50mil
Ambient Light	7000 Lux Max.
Reading Performance	
Symbologies	All UPC/EAN/JAN, EAN128 Code, Code 39, Code 39 Full ASCII, Code32 / Italian Pharmacy, Code 128, CODABAR/NW7, Interleave 25, Industrial 25, Matrix 25, MSI/PLESSEY, Telepen, Code 93, Code 11, China Postage, Code 26, LCD25, GS1 DataBar
Resolution	4mil @ PCS 90%
PSC	0.3 PCS value @20mil code 39
Electrical	
Interface	RS232, KB, USB

Connector	RJ45 10 pins
Voltage	DC +5V ±5%
Operating Current	65mA
Standby Current	40 – 45mA
Environment	
Operating Temperature	0°C to 50°C (32°F to 122°F)
Storage Temperature	-20°C to 60°C (-4°F to 140°F)
Relative Humidity	5% to 95% (Non-condensing)
Physical	
Material	ABS Plastic & Rubber
Weight	Approx 135g
Dimension	139.5 x 89.9 x 71.1mm
Durability	
Drop test	100cm (40inch) Drop on Concrete Surface
Life Time	Light Source: 40,000 hours; Trigger Switch: 1,000,000 times; MTBF: 20,000 hours

PIN ASSIGNMENTS

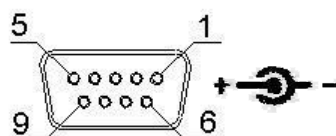
Keyboard interface

Mini DIN 6 MALE		Mini DIN 6 FEMAL	
Pin No.	Function	Pin No.	Function
1	HOST DATA	1	KB DATA
2	NC	2	NC
3	GND	3	GND
4	Vcc (+5V)	4	Vcc (+5V)
5	HOST CLK	5	KB CLK
6	NC	6	NC



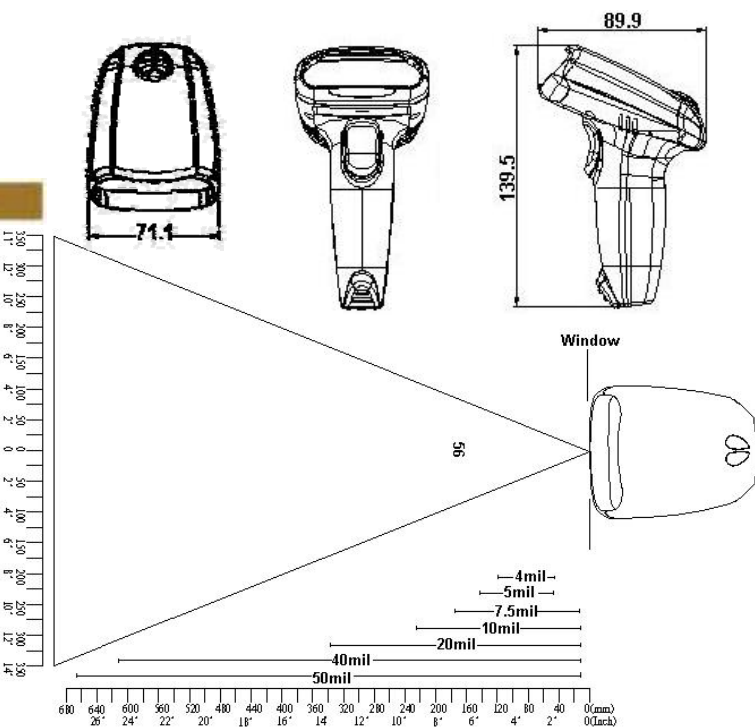
USB interface

USB A Type Male	
Pin No.	Function
1	Vcc
2	D-
3	D+
4	GND



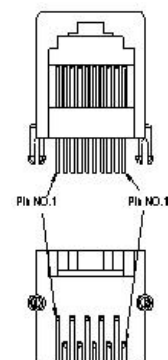
RS-232 interface

DB 9 Female	
Pin No.	Function
2	TXD
3	RXD
5	GND
7	CTS
8	RTS
9	Vcc/+5V
Power Lead	Vcc/+5V



Decoder Data Output (Type RJ45 10P)

Pin No.	Function	Pin No.	Function
1	RTS	6	KB CLK
2	HOST DATA	7	TXD
3	GND	8	KB DATA
4	HOST CLK	9	RXD
5	Vcc (+5V)	10	CTS



Contact us for details



Birch is a trademark of Birch Technology U.S.A. Inc
 All other products, brands or companies are trademarks or registered trademarks of their respective companies.
 Specifications are subject to change without prior notice